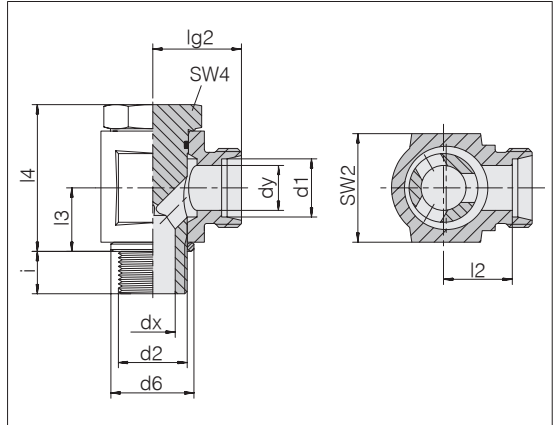


Banjo couplings

Unrestricted flow design with eccentric flow channel

Male thread: BSPP thread, parallel
 For threaded bores: ISO 1179-1 (Form N - narrow)
 Sealing type: Seal-edge ring (Form B)
 Sealing material: Standard NBR

Tube coupling: 24° in acc. with ISO 8434-1



| Series | d2 | Pressure | d6 | dx | dy | lg2 | l2 | l3 | l4 | SW2 | SW4 | i | Nm -10 % | kg/100 ca. | Order-No. | Designation |
|---------------|-----------|----------|----|----|----|------|------|------|------|-----|-----|----|-------------|---------------|------------|---------------------------------|
| Tube OD d1 | | | | | | | | | | | | | | | | |
| L 6 | G 1/8 A | PB 500 | 14 | 4 | 4 | 19 | 12 | 10.5 | 25.3 | 19 | 14 | 8 | 25 | 5.0 | 1157002081 | 24-BEE-L6-G1/8B ¹⁾ |
| L 6 | G 1/4 A | PB 400 | 18 | 6 | 4 | 21.5 | 14.5 | 14 | 29.5 | 22 | 19 | 12 | 40 | 9.8 | 1156832081 | 24-BEE-L6-G1/4B |
| L 8 | G 1/4 A | PB 400 | 18 | 6 | 6 | 21.5 | 14.5 | 14 | 31.5 | 22 | 19 | 12 | 40 | 10.0 | 1157052081 | 24-BEE-L8-G1/4B ¹⁾ |
| L 10 | G 1/4 A | PB 350 | 18 | 8 | 8 | 22.5 | 15.5 | 14 | 33 | 22 | 19 | 12 | 38 | 10.4 | 1157102081 | 24-BEE-L10-G1/4B ¹⁾ |
| L 12 | G 3/8 A | PB 350 | 22 | 10 | 10 | 25 | 18 | 16.5 | 38.5 | 27 | 22 | 12 | 75 | 16.5 | 1157152081 | 24-BEE-L12-G3/8B ¹⁾ |
| L 12 | G 1/2 A | PB 315 | 26 | 12 | 10 | 29 | 22 | 21.5 | 45.5 | 32 | 27 | 14 | 110 | 28.4 | 1157192081 | 24-BEE-L12-G1/2B |
| L 15 | G 1/2 A | PB 315 | 26 | 12 | 12 | 29 | 22 | 21.5 | 45.5 | 32 | 27 | 14 | 110 | 28.7 | 1157202081 | 24-BEE-L15-G1/2B ¹⁾ |
| L 18 | G 1/2 A | PB 315 | 26 | 15 | 15 | 29 | 21.5 | 21.5 | 47.5 | 36 | 27 | 14 | 110 | 29.3 | 1157252081 | 24-BEE-L18-G1/2B ¹⁾ |
| L 22 | G 3/4 A | PB 200 | 32 | 19 | 19 | 36 | 28.5 | 24 | 56.5 | 46 | 36 | 16 | 160 | 56.3 | 1157302081 | 24-BEE-L22-G3/4B ¹⁾ |
| L 28 | G 1 A | PB 200 | 39 | 24 | 24 | 39 | 31.5 | 30.5 | 68 | 50 | 41 | 18 | 270 | 88.1 | 1157352081 | 24-BEE-L28-G1B ¹⁾ |
| L 35 | G 1 1/4 A | PB 200 | 49 | 30 | 30 | 46 | 35.5 | 35.5 | 78 | 60 | 50 | 20 | 500 | 147.9 | 1157402081 | 24-BEE-L35-G11/4B ¹⁾ |
| L 42 | G 1 1/2 A | PB 200 | 55 | 36 | 36 | 51 | 40 | 40.5 | 88.5 | 70 | 60 | 22 | 600 | 218.6 | 1157452081 | 24-BEE-L42-G11/2B ¹⁾ |
| S 6 | G 1/4 A | PB 500 | 18 | 4 | 4 | 23.5 | 16.5 | 14 | 30.5 | 22 | 19 | 12 | 53 | 10.3 | 1157502081 | 24-BEE-S6-G1/4B ¹⁾ |
| S 8 | G 1/4 A | PB 450 | 18 | 5 | 5 | 23.5 | 16.5 | 14 | 31 | 22 | 19 | 12 | 53 | 10.6 | 1157552081 | 24-BEE-S8-G1/4B ¹⁾ |
| S 10 | G 3/8 A | PB 400 | 22 | 7 | 7 | 26 | 18.5 | 16.5 | 37 | 27 | 22 | 12 | 120 | 17.3 | 1157602081 | 24-BEE-S10-G3/8B ¹⁾ |
| S 12 | G 3/8 A | PB 400 | 22 | 8 | 8 | 26 | 18.5 | 16.5 | 37.5 | 27 | 22 | 12 | 120 | 17.8 | 1157652081 | 24-BEE-S12-G3/8B ¹⁾ |
| S 14 | G 1/2 A | PB 400 | 26 | 10 | 10 | 31 | 23 | 21.5 | 43 | 32 | 27 | 14 | 160 | 29.1 | 1157702081 | 24-BEE-S14-G1/2B ¹⁾ |
| S 16 | G 1/2 A | PB 400 | 26 | 12 | 12 | 31 | 22.5 | 21.5 | 47 | 36 | 27 | 14 | 160 | 31.5 | 1157752081 | 24-BEE-S16-G1/2B ¹⁾ |
| S 20 | G 3/4 A | PB 400 | 32 | 16 | 16 | 38 | 27.5 | 24 | 55 | 46 | 36 | 16 | 330 | 59.4 | 1157802081 | 24-BEE-S20-G3/4B ¹⁾ |
| S 25 | G 1 A | PB 250 | 39 | 20 | 20 | 43 | 31 | 30.5 | 66.5 | 50 | 41 | 18 | 380 | 93.2 | 1157852081 | 24-BEE-S25-G1B ¹⁾ |
| S 30 | G 1 1/4 A | PB 250 | 49 | 25 | 25 | 50 | 36.5 | 35.5 | 75.5 | 60 | 50 | 20 | 600 | 156.7 | 1157902081 | 24-BEE-S30-G11/4B ¹⁾ |
| S 38 | G 1 1/2 A | PB 250 | 55 | 32 | 32 | 57 | 41 | 40.5 | 86.5 | 70 | 60 | 22 | 800 | 232.3 | 1157952081 | 24-BEE-S38-G11/2B ¹⁾ |

¹⁾ Standard size

Example for comp. :
WH06LROMD

